

Parts book
Mechatronic High Speed
Overlock Machine

Tre 04 N

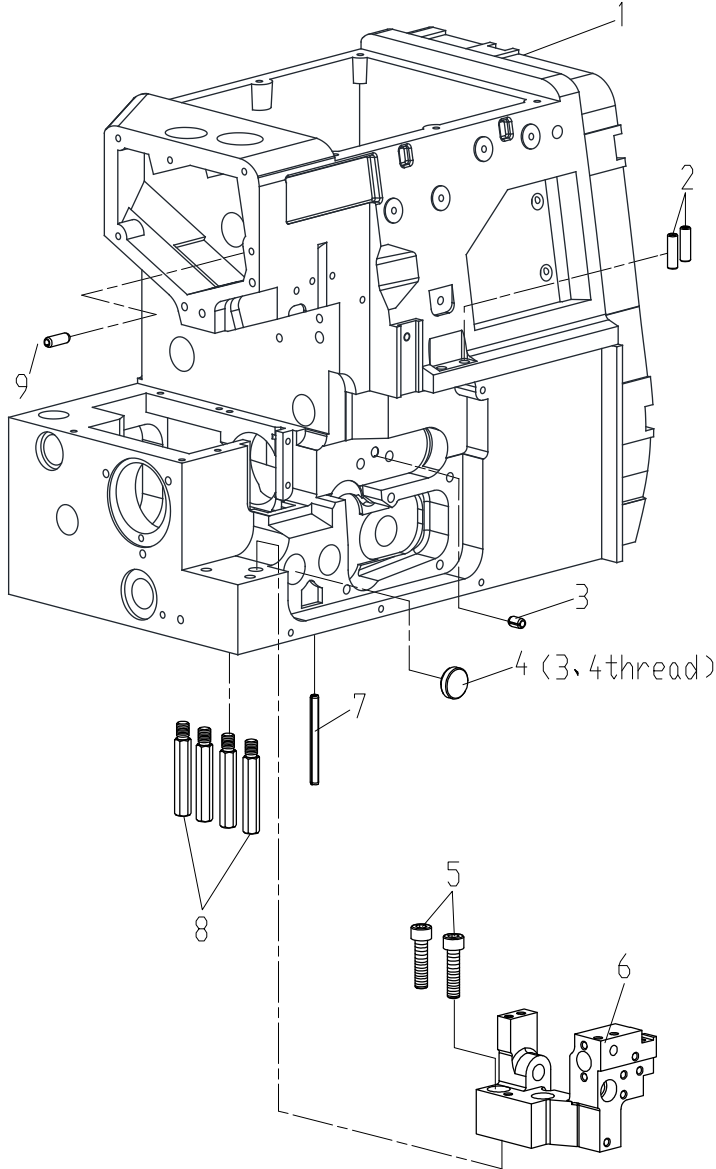
Quattro 24 N

Cinque 35 N

The logo for Texi, featuring a stylized purple icon of three overlapping teardrop shapes to the left of the word "texi" in a lowercase, italicized serif font.

texi

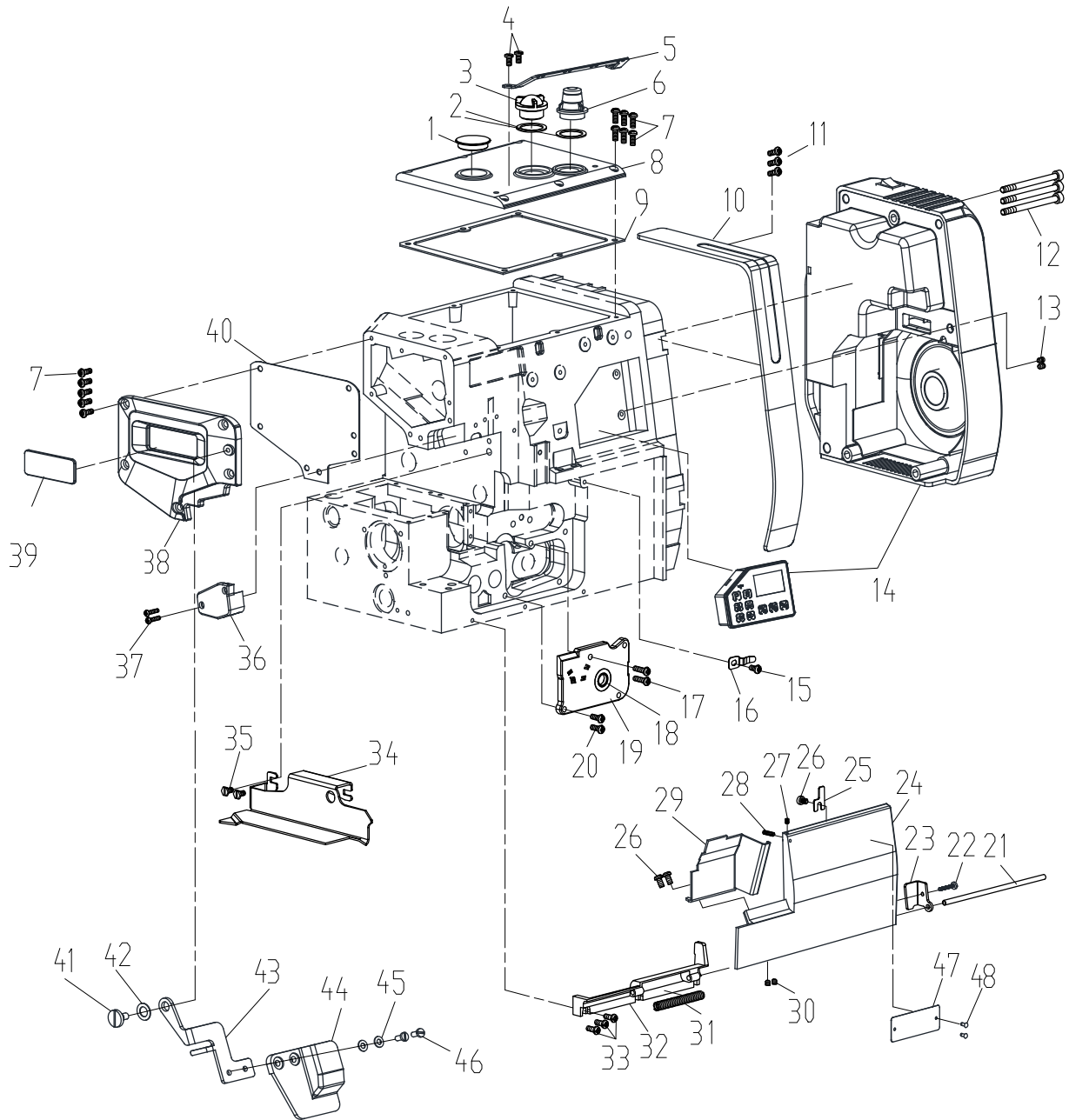
1. HOUSING FRAME



1. HOUSING FRAME

No.	Parts No.		Description	QT.
1	20023847		housing	1
2	10054228		threading pipe for upper and lower loopers	2
3	10002836		pin	1
4	10008961		rubber plug	1
5	10009171		screw	2
6	10009050		lower knife bed	1
7	10002830		pin	1
8	10011847		support for housing	4
9	10002833		pin	1

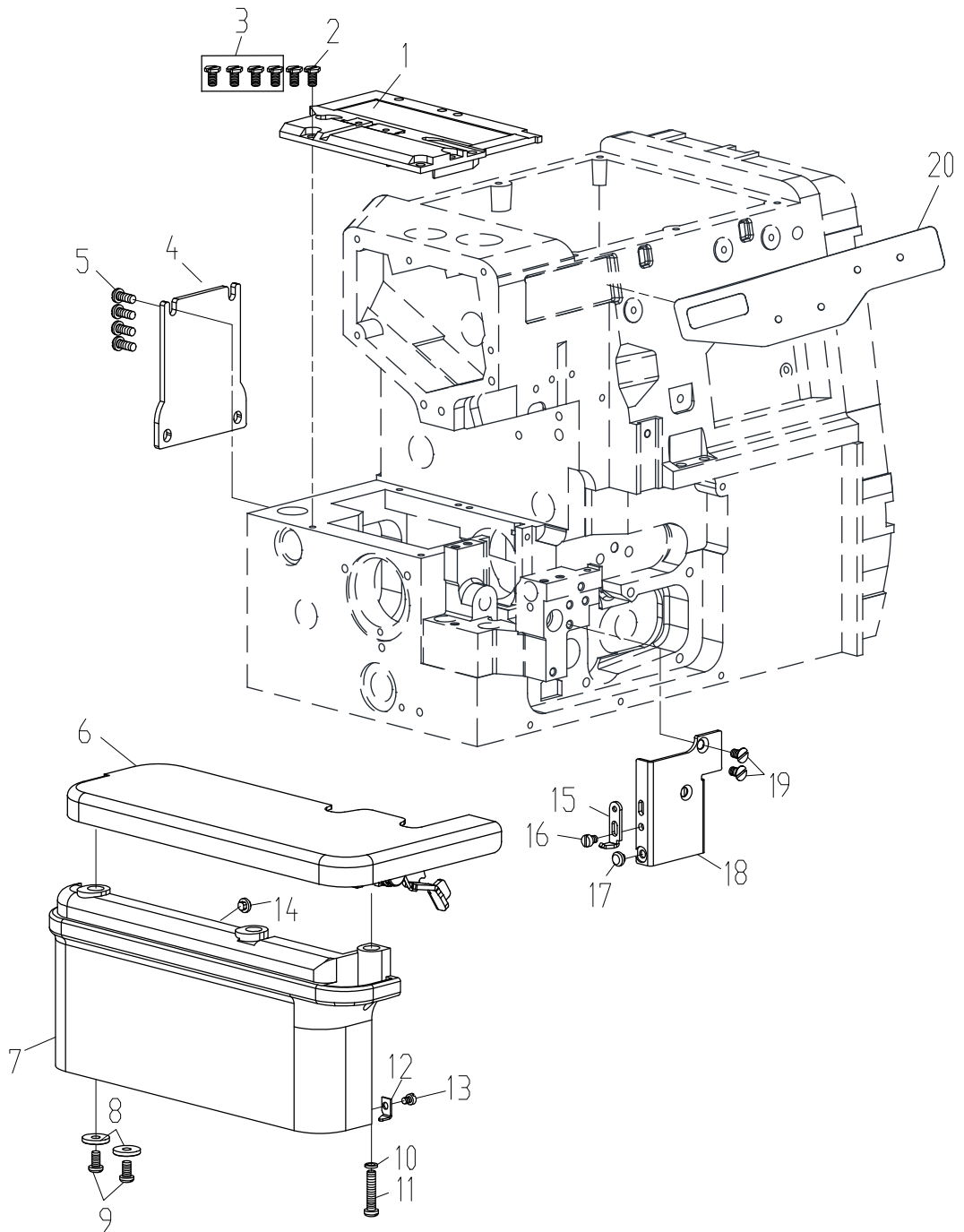
2. OUT COVER FRAME(1)



2. OUT COVER FRAME (1)

No.	Parts No.	Description	QT.
1	10045754	rubber plug	1
2	10009156	oil window rubber ring	2
3	10008938	oil window	1
4	10010554	screw	2
5	10063871	a wire frame	1
6	10062483	oil window	1
7	10009104	screw	11
8	20023697	upper cover	1
9	10062480	seal cushion for upper cover	1
10	10062489	trim strip	1
11	10010595	screw	3
12	10062719	screw	3
13	10009042	screw	2
14	10064192	simple electronic control	1
15	10004171	screw	1
16	10033682	spring plate	1
17	10008965	screw	2
18	10009399	oil seal	1
19	10008917	cover for upper looer stand	1
20	10011044	screw	2
21	10062485	pin	1
22	10063870	screw	1
23	10008911	guiding plate	1
24	20023695	right part of the front cover	1
25	10059247	fender for right part of front cover	1
26	10004171	screw	3
27	10013019	screw	1
28	10009550	screw	1
29	10062482	midle part of the front cover	1
30	10023463	screw	2
31	10009509	spring	1
32	10008880	supporting part	1
33	10009037	screw	3
34	10008920	the cover plate	1
35	10009157	screw	2
36	10064191	head lamp	1
37	10011044	screw	2
38	20023696	side cover	1
39	10070679	decoratire plate	1
40	10062593	side gasket	1
41	10068488	screw	1
42	10010596	washer	1
43	10062486	support plate	1
44	10008878	safety cover	1
45	10009599	washer	2
46	10009600	screw	2
47		name card	1
48	10002840	rivet	2

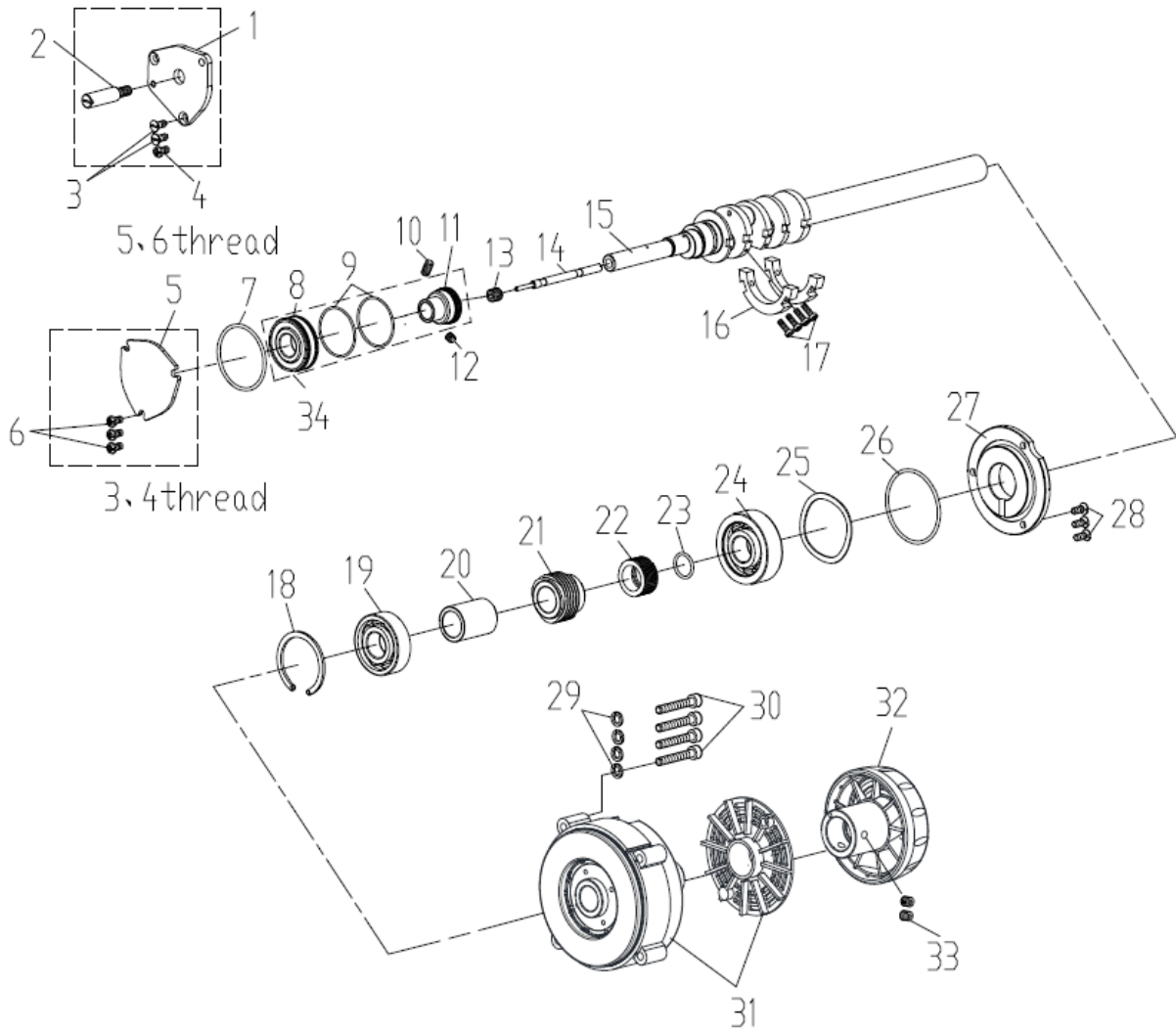
3. OUT COVER FRAME (2)



3. OUT COVER FRAME (2)

No.	Parts No.		Description	QT.
1	10058546		left upper cover	1
2	10009157		screw	2
3	10010595		screw	4
4	10033690		comp on ent of back cover	1
5	10009104		screw	4
6	10052333		component of surface cover	1
7	10009450		lower left side cover	1
8	10009537		washer	2
9	10010595		screw	2
10	10008144		washer	1
11	10009291		screw	1
12	10033700		position limiting plate	1
13	10009529		screw	1
14	10037505		quake-proof rubber cushion	1
15	10033689		baffle	1
16	10009514		screw	1
17	10009582		quake-proof rubber cushion	1
18	10008882		left part of front cover	1
19	10009049		screw	2
20	20028799		independent logo lamp cover	1

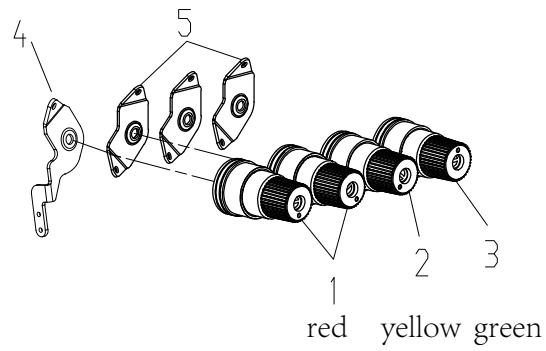
4. MAIN SHAFT MECHANISM



4. MAIN SHAFT MECHANISM

No.	Parts No.	Description	QT.
1	10009643	left cover	1
2	10007842	screw	1
3	10009195	screw	5
4	10009104	screw	1
5	10009519	left cover	1
6	10010595	screw	3
7	10009448	O ring	1
8	10025895	bearing	1
9	10009334	O ring	2
10	10012162	screw	1
11	10002966	bush mounted in bearing	1
12	10009167	screw	1
13	10009187	screw	1
14	10009479	the spindle axis core	1
15	10058553	main shaft(general machine)	1
	10058550	main shaft(heavy machine)	1
16	10009402	balance block	1
17	10003001	screw	4
18	10008898	main shaft retainer ring	1
19	10003543	bearing	1
20	10009392	bush mounted in worm bush	1
21	10009362	wrom bush	1
22	10055917	bush mounted in screw	1
23	10009360	O ring	1
24	10055926	bearing	1
25	10055918	spring washer	1
26	10055919	O ring	1
27	10055920	right cover	1
28	10009195	screw	3
29	10005537	washer	4
30	10053435	screw	4
31	10062544	motor	1
32	10062473	hand wheel assembly	1
33	10012162	screw	2
34	10064715	bearing sleeve assembly	1

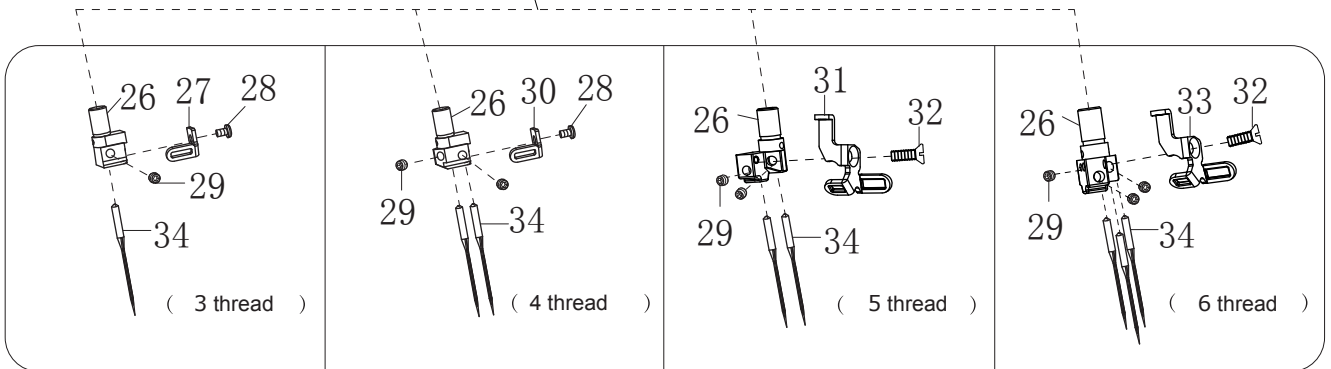
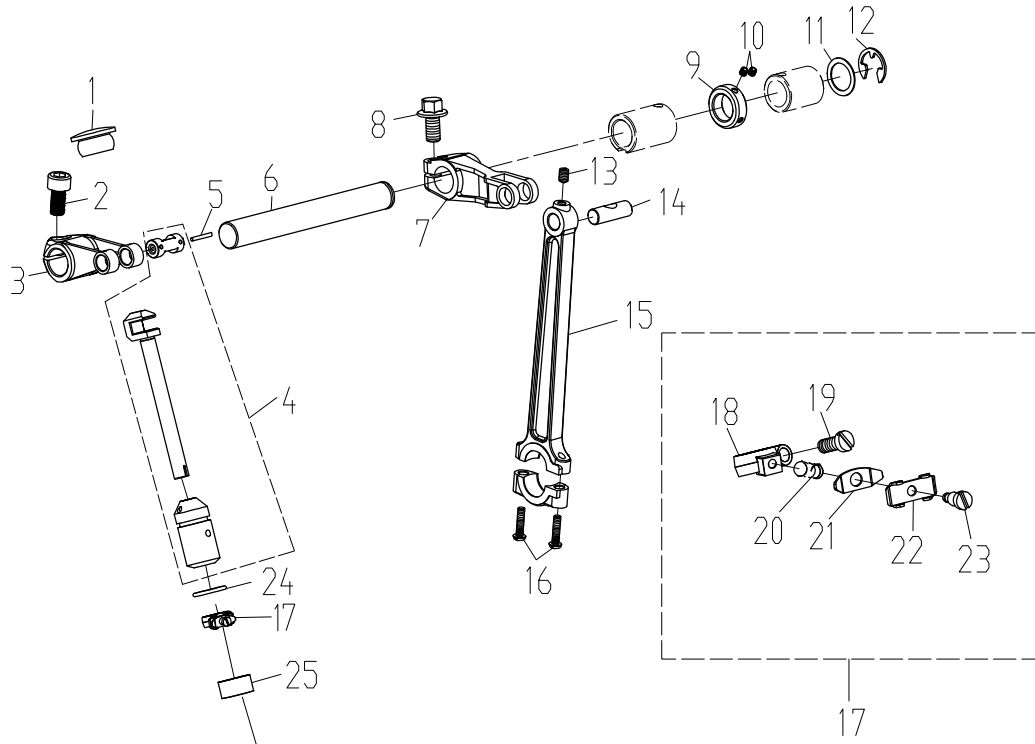
5. THREAD TENSION MECHANISM



5. THREAD TENSION MECHANISM

No.	Parts No.	Description	QT.
1	10058522	thread tension aggregate for needle	2
2	10058523	thread tension aggregate for upper needle	1
3	10058524	thread tension aggregate for lower needle	1
4	10062470	thread guide plate with two hole	1
5	10057503	thread guide plate	3

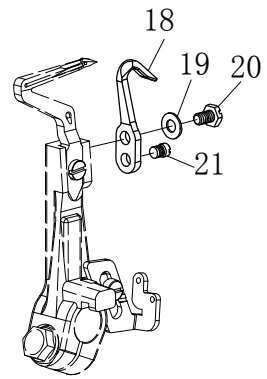
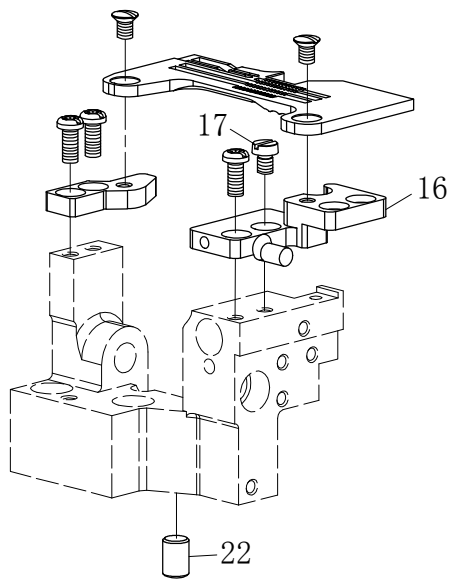
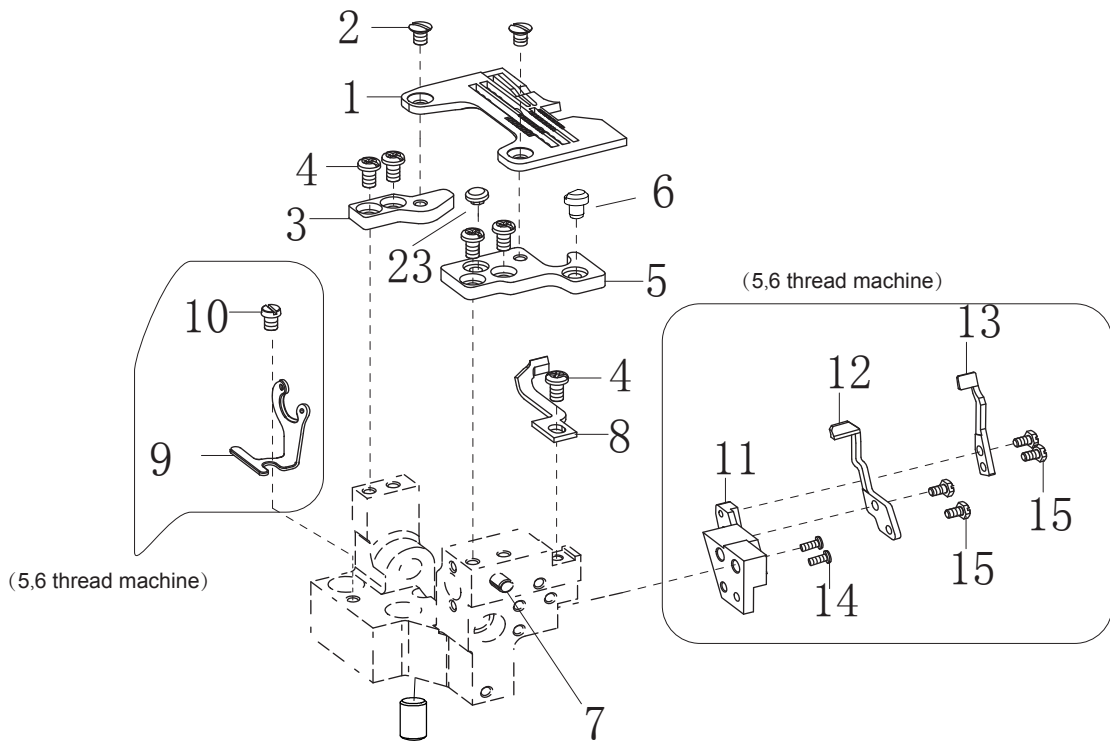
6. NEEDLE DRIVE MECHANISM(1)



6. NEEDLE DRIVE MECHANISM(1)

No.	Parts No.	Description	QT.
1	10009576	rubber plug	1
2	10009245	screw	1
3	10009374	crank on needle bar	1
4	10009355	needle rod assembly	1
5	10008090	oil wick	1
6	10009423	driving shaft for needle bar	1
7	10009433	crank on needle bar drive shaft	1
8	10009164	screw	1
9	10009357	retaining ring	1
10	10023463	screw	2
11	10033718	washer	1
12	10003273	retaining ring	1
13	10009109	screw	1
14	10009432	pin for connecting rod	1
15	10002961	connecting rod for needle bar	1
16	10002939	screw	2
17	20001229	the needle clamp clip	1
18	10009344	the needle clamp clip	1
19	10010888	screw	1
20	10009400	spring	1
21	10009341	lower thread tension plate	1
22	10009384	upper thread tension plate	1
23	10009383	screw	1
24	10009391	O ring	1
25	10009356	felt	1
26	*	needle holder	1
27	10003431	thread guide plate of needle holder	1
28	10009422	screw	1
29	10009255	screw	*
30	10009339	thread guide plate of needle holder	1
31	10009644	thread guide plate of needle holder	1
32	10009664	screw	1
33	10008205	thread guide plate of needle holder	1
34	*	needle	1
		*:see the guage list	

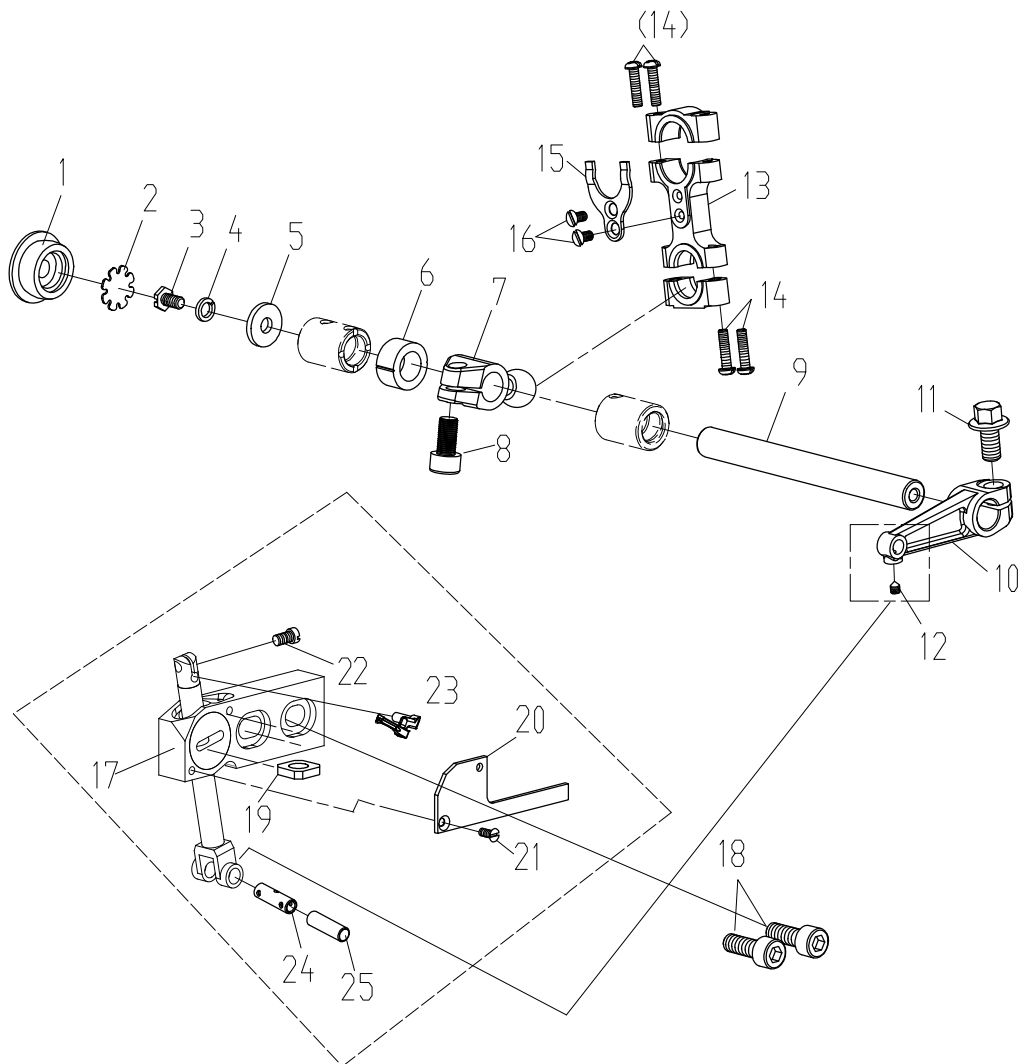
7. NEEDLE DRIVE MECHANISM(2)



7. NEEDLE DRIVE MECHANISM(2)

No.	Parts No.	Description	QT.
1	*	needle plate	1
2	10009290	screw	2
3	10009354	needle plate support	1
4	10009042	screw	5
5	10009420	base of needle guard	1
	10030419	base of needle guard	1
6	10061231	rubber cushion	2
7	10012905	pin	1
8	10009377	front needle guard(3,4thread machine)	1
	10009637	front needle guard(5,6thread machine)	1
9	10040242	frent thread guide	1
10	10004171	screw	1
11	10009306	needle guard barcket	1
12	10009636	rear needle guard	1
13	10009657	front needle guard	1
14	10009638	screw	2
15	10010555	screw	4
16	10058562	base of needle guard	1
17	10010554	screw	1
18	10074020	rear needle guard	1
19	10009599	washer	1
20	10009021	screw	1
21	10009020	screw	1
22	10009048	pin	1
23	10009582	rubber cushion	2
		* see the guage list	

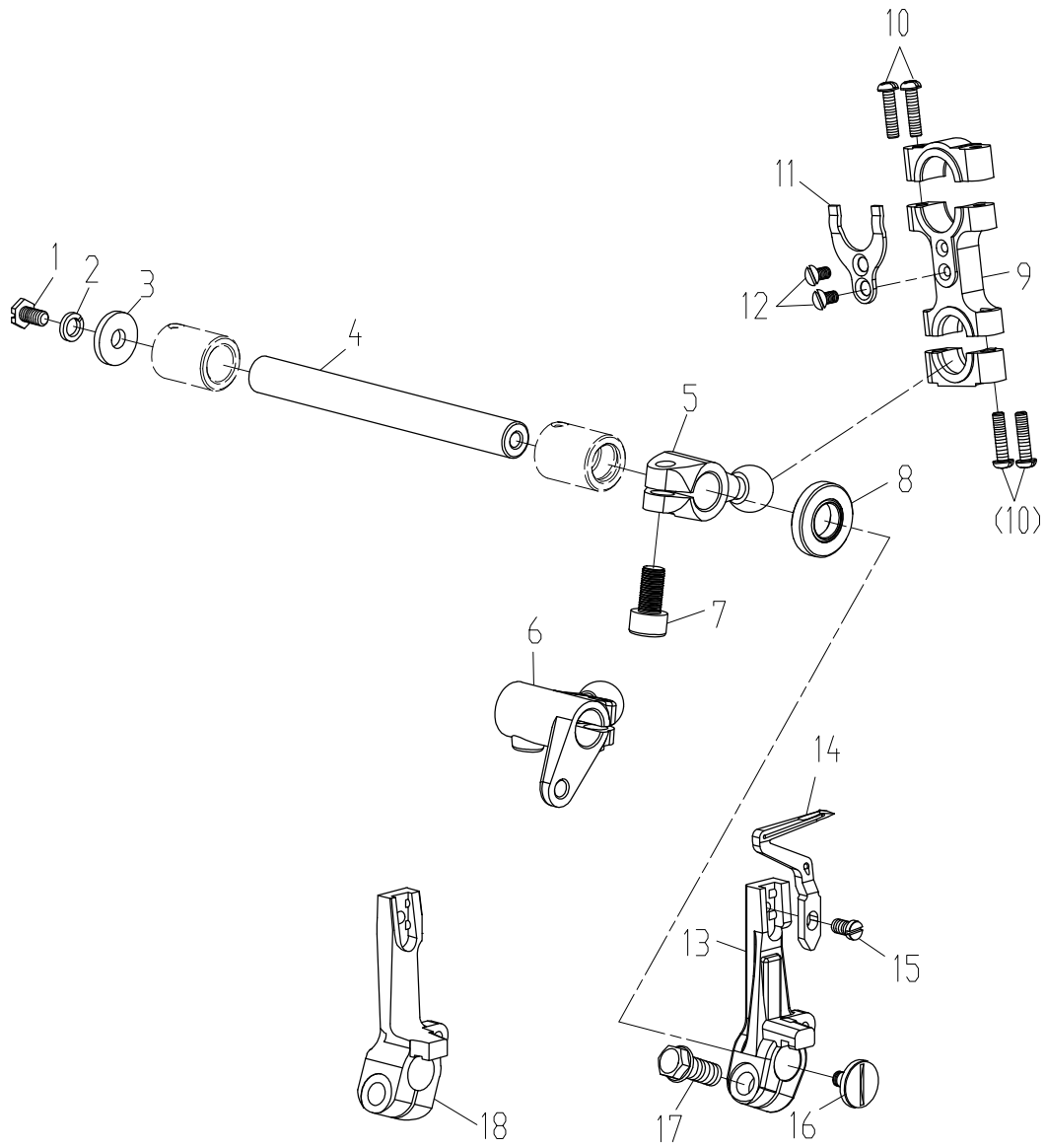
8. UPPER LOOPER DRIVE MECHANISM



8. UPPER LOOPER DRIVE MECHANISM

No.	Parts No.	Description	QT.
1	10039396	rubber plug	1
2	10039397	oil baffle frame	1
3	10009349	screw	1
4	10005537	washer	1
5	10033711	washer	1
6	10009338	retaining ring	1
7	10003062	crank bush with ball head for upper looper	1
8	10009164	screw	1
9	10009404	drive shaft for upper looper	1
10	10009373	swing bar for upper looper shaft	1
11	10009245	screw	1
12	10009240	screw	1
13	10003064	connecting bar for upper looper drive	1
14	10002939	screw	4
15	10009431	fender for connecting bar	1
16	10009626	screw	1
17	10009351	Upper bentneedle rocker assembly	1
18	10009008	screw	2
19	10009405	felt	1
20	10009370	cover plate	1
21	10009379	screw	1
22	10013969	screw	1
23	*	upper looper	1
24	10009406	pin	1
25	10008067	oil wick	1
		* see the guage list	

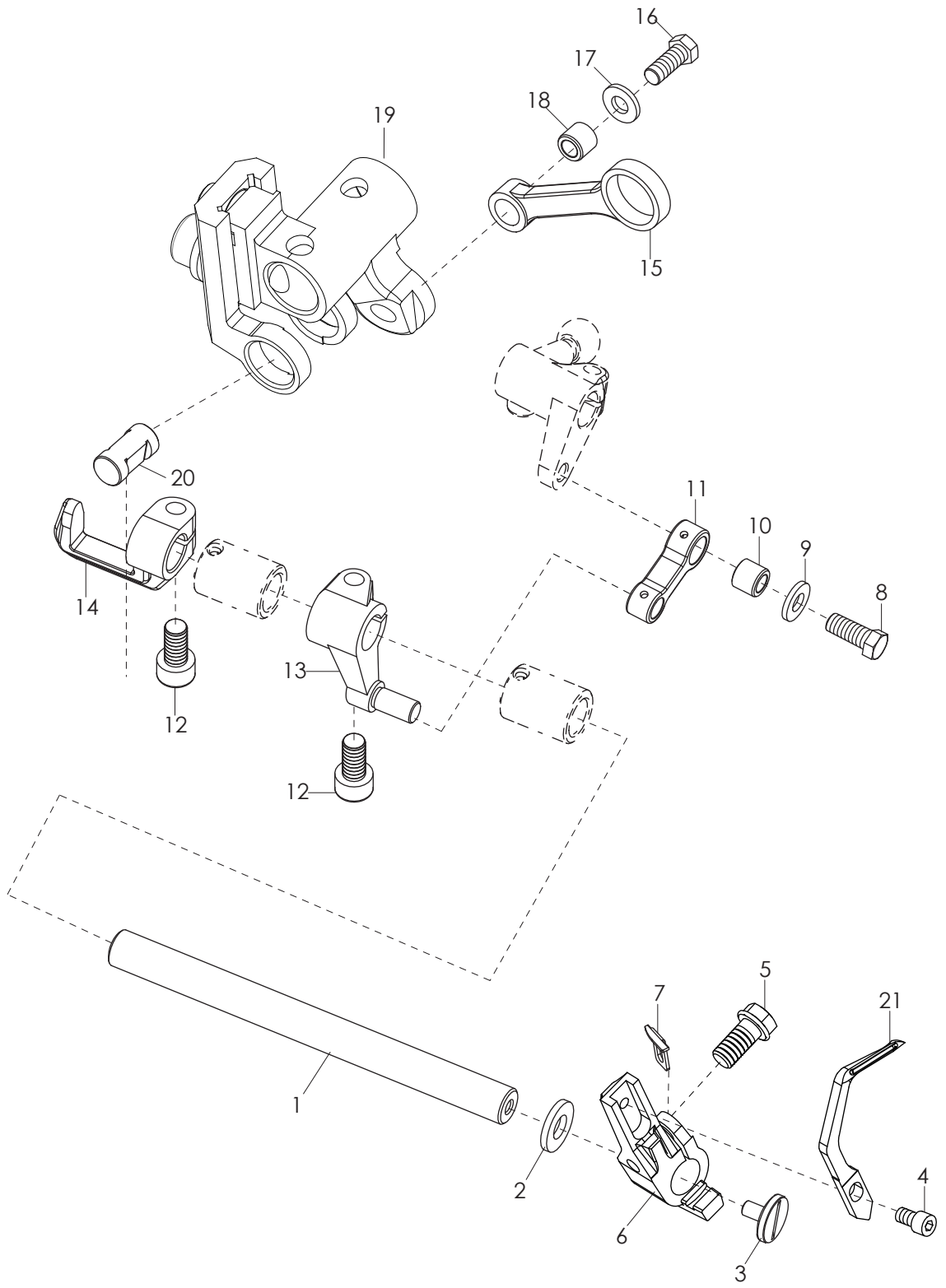
9. LOWER LOOPER DRIVE MECHANISM



9. LOWER LOOPER DRIVE MECHANISM

No.	Parts No.	Description	QT.
1	10009349	screw	1
2	10005537	washer	1
3	10033711	washer	1
4	10009404	drive shaft for upper looper	1
5	10003061	crank bush with ball head for looper	1
6	10002825	left crank bush with chain stitch looper	1
7	10009164	screw	1
8	10009399	seal ring	1
9	10003064	connecting bar for upper looper	1
10	10002939	screw	4
11	10009431	fender for connecting bar	1
12	10009626	screw	2
13	10009026	stand for lower looper	1
14	*	upper looper	1
15	10009589	screw	1
16	10009394	screw	1
17	10009310	screw	1
18	10059412	stand for lower looper	1
		* see the guage list	

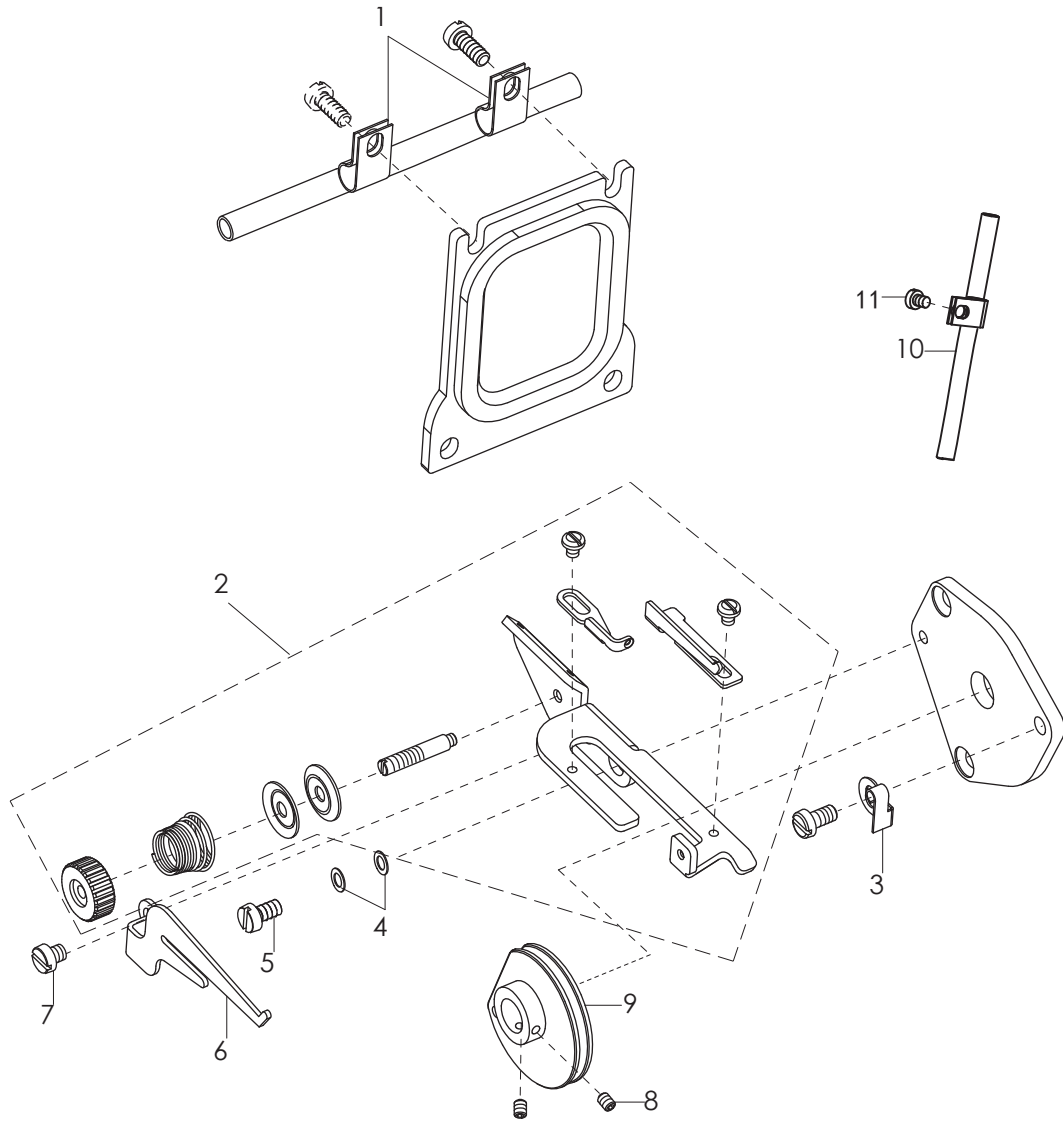
10. CHAINSTITCH LOOPER FRAME



10. CHAINSTITCH LOOPER MECHANISM

No.	Parts No.	Description	QT.
1	10009309	shaft for chain stitch looper	1
2	10009071	seal ring	1
3	10009394	screw	1
4	10009589	screw	2
5	10009310	screw	2
6	10009307	stand of chain stitch looper	1
7	10003294	blocking ring	1
8	10009142	screw	2
9	10068671	washer	1
10	10023488	needle pin for connecting bar	1
11	10054385	needle pin for connecting bar	1
12	10023485	connecting bar of feed dog	1
13	10009164	screw	2
14	10009302	swing crank	1
15	10009305	swing fork	1
16	10047854	connecting bar for chain stitch looper	1
17	10009142	screw	1
18	10009192	washer	1
19	10023487	needle pin for connecting bar	1
20	10034624	shaft of adjusting bar	1
21	*	chain stitch looper	1
		* see the guage list	

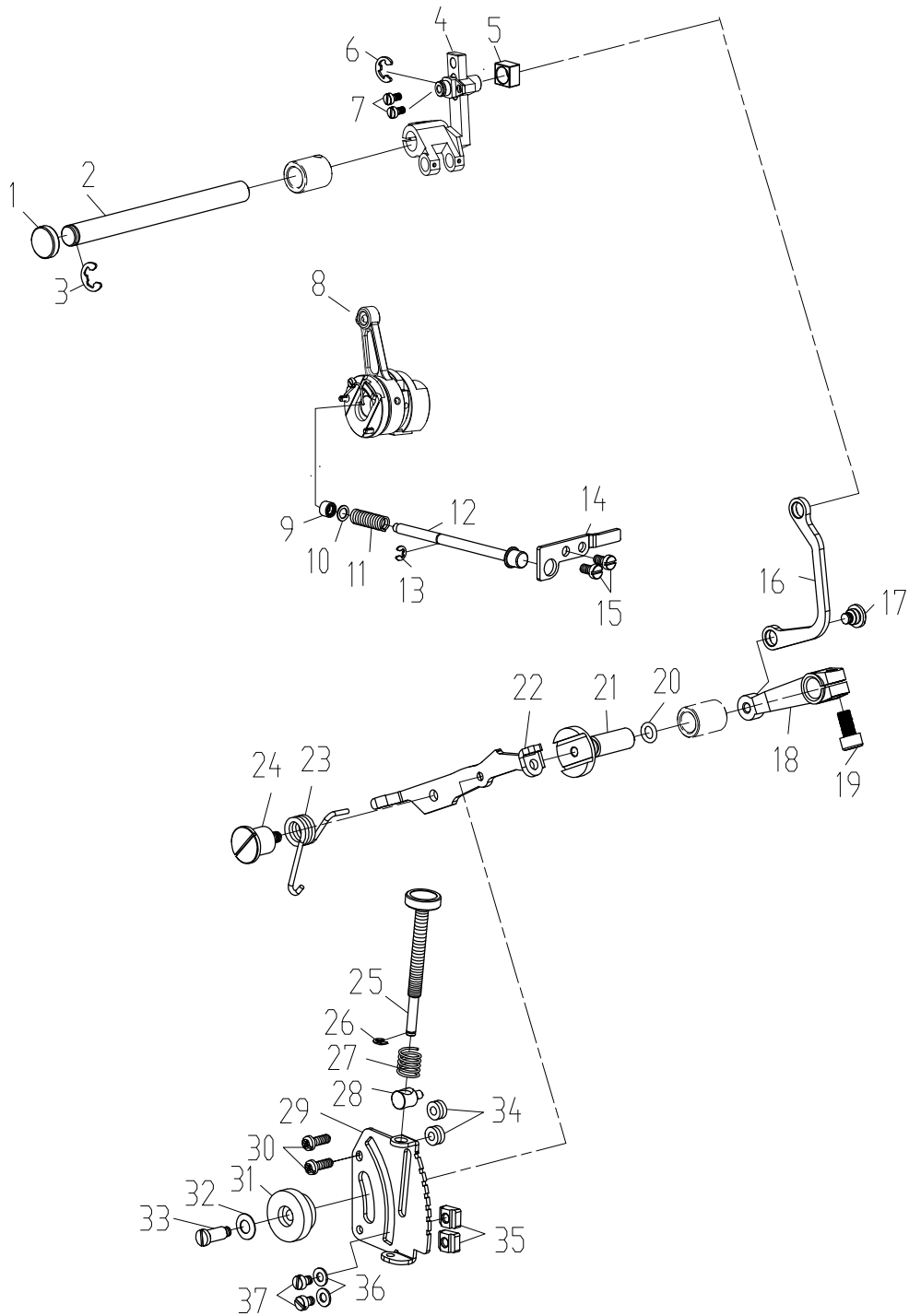
11. CAM ASSEMBLY



11. CAM ASSEMBLY

No.	Parts No.	Description	QT.
1	10055261	elastic clamp for thread guide	1
2	10034163	thread tension nut	1
3	10033742	Spring	1
4	10010596	washer	2
5	10010556	screw	1
6	10033740	thread take-up stand	1
7	10004171	screw	1
8	10010664	thread take-up cam assembly	1
9	10010196	screw	2
10	10055262	the vertical line pipe	1
11	10009556	screw	1

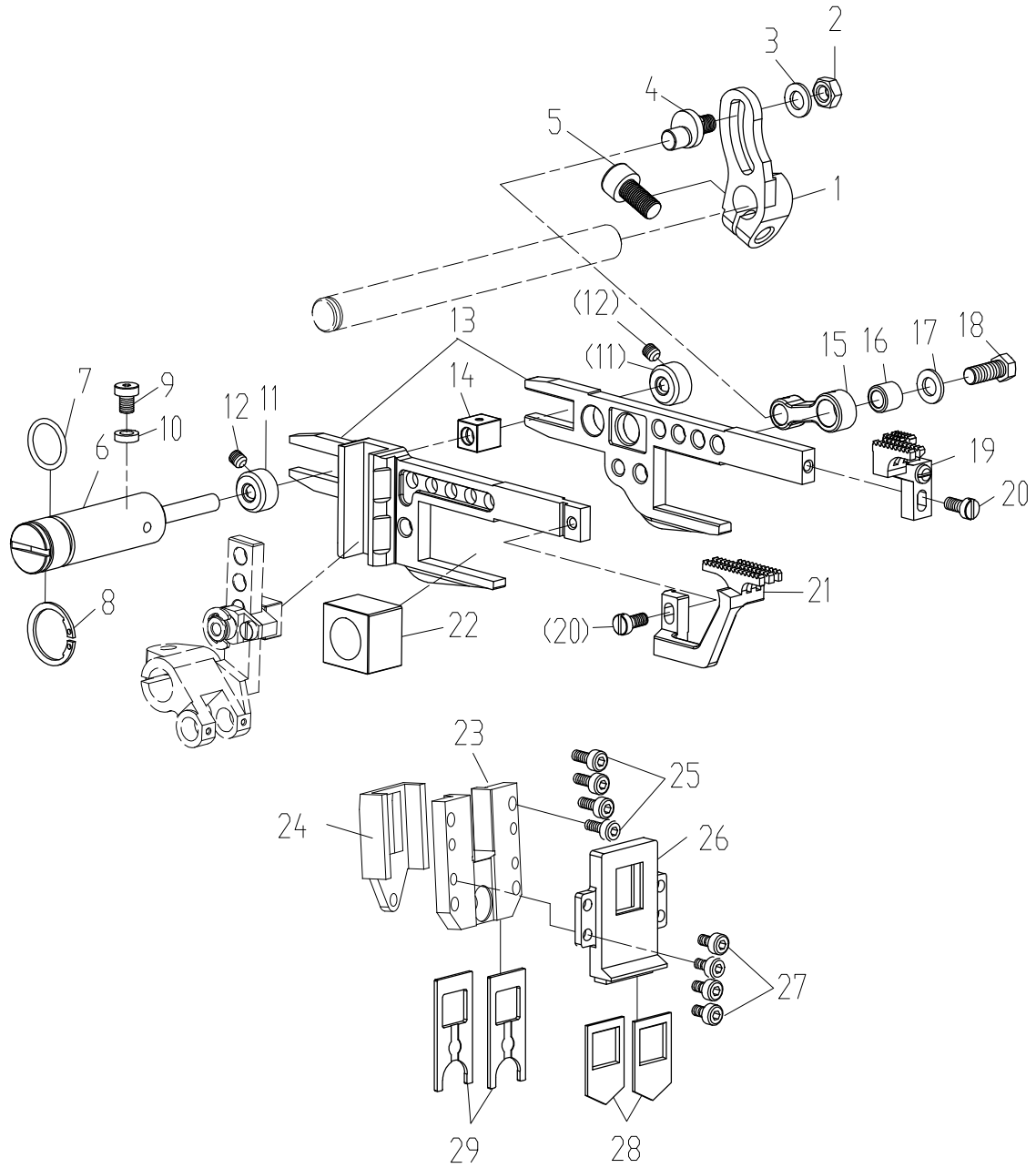
12. DIFFERENTIAL FEED ASSEMBLY (1)



12. DIFFERENTIAL FEED ASSMEBLY (1)

No.	Parts No.	Description	QT.
1	10008961	rubber plug	1
2	10009198	feeding shaft	1
3	10009239	retaining spring	1
4	10009000	right crank assembly of differential regulato	1
5	10009139	sliding block	1
6	10008989	rataining spring	1
7	10009625	screw	2
8	10008816	eccentric as-feed	1
9	10053036	oil seal	1
10	10009246	washer	1
11	10009248	spring	1
12	10009249	button shaft	1
13	10003248	retaining spring	1
14	10009040	plate	1
15	10010595	screw	2
16	10008995	differential regulating connecting rod	1
17	10009624	screw	1
18	10009256	left crank of differential regulator	1
19	10009164	screw	1
20	10009608	O ring	1
21	10034607	shaft of differential regulator	1
22	10009224	adjusting bar	1
23	10009563	spring	1
24	10009558	screw	1
25	10009218	screw	1
26	10009669	retaining spring	1
27	10009205	spring	1
28	10009203	nut	1
29	10009223	indication plate of adjustment	1
30	10009037	screw	2
31	10009565	nut	1
32	10009564	washer	1
33	10009562	screw	1
34	10009200	washer	2
35	10010894	adjusting block	2
36	10003083	washer	2
37	10010554	screw	2

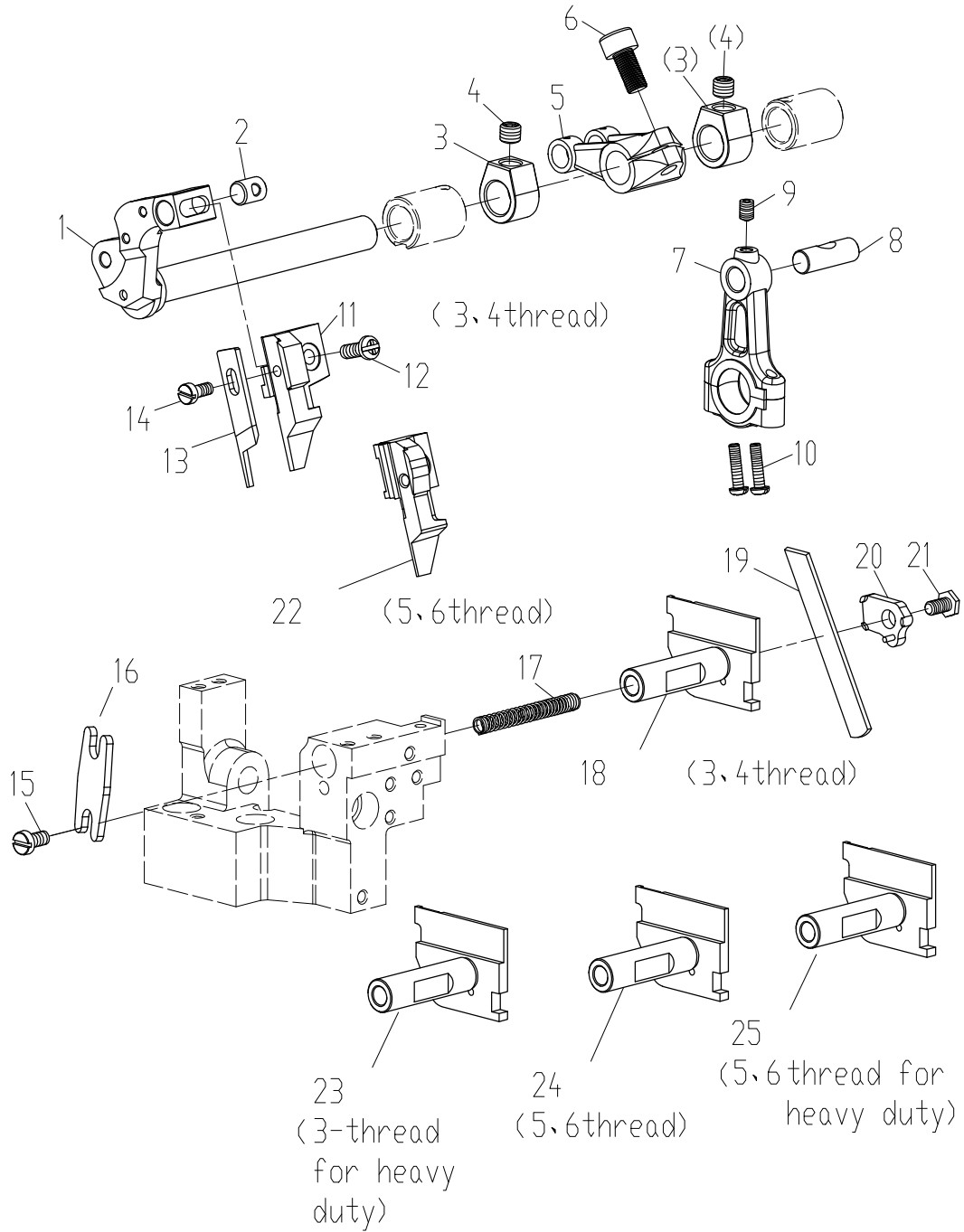
13. DIFFERENTIAL FEED ASSEMBLY (2)



13. DIFFERENTIAL FEED ASSEMBLY (2)

No.	Parts No.	Description	QT.
1	10009194	crank with rectangular shaft	1
2	10009467	nut	1
3	10009192	washer	1
4	10009193	pin with thread for feeding connecting rod	1
5	10009164	screw	1
6	10009137	eccentric shaft	1
7	10009391	O ring	1
8	10009136	spring	1
9	10023463	screw	1
10	10009114	rubber cushion	1
11	10009166	washer	1
12	10009074	screw	1
13	10006869	dental rack assembly	1
14	10009134	sliding block	1
15	10066197	feeding connecting rod	1
16	10023487	bush connecting rod	1
17	10009192	washer	1
18	10009142	screw	1
19	*	body of main feed dog	1
20	10009586	screw	2
21	*	differential feed dog	1
22	10009133	sliding block for feed dog lifting	1
23	10071159	rack guide	1
24	10071160	oil seal cover plate	1
25	10009102	screw	4
26	10009161	outer oil seal stand	1
27	10002975	screw	4
28	10009081	oil seal	2
29	10037823	oil seal	2
		* see the guage list	

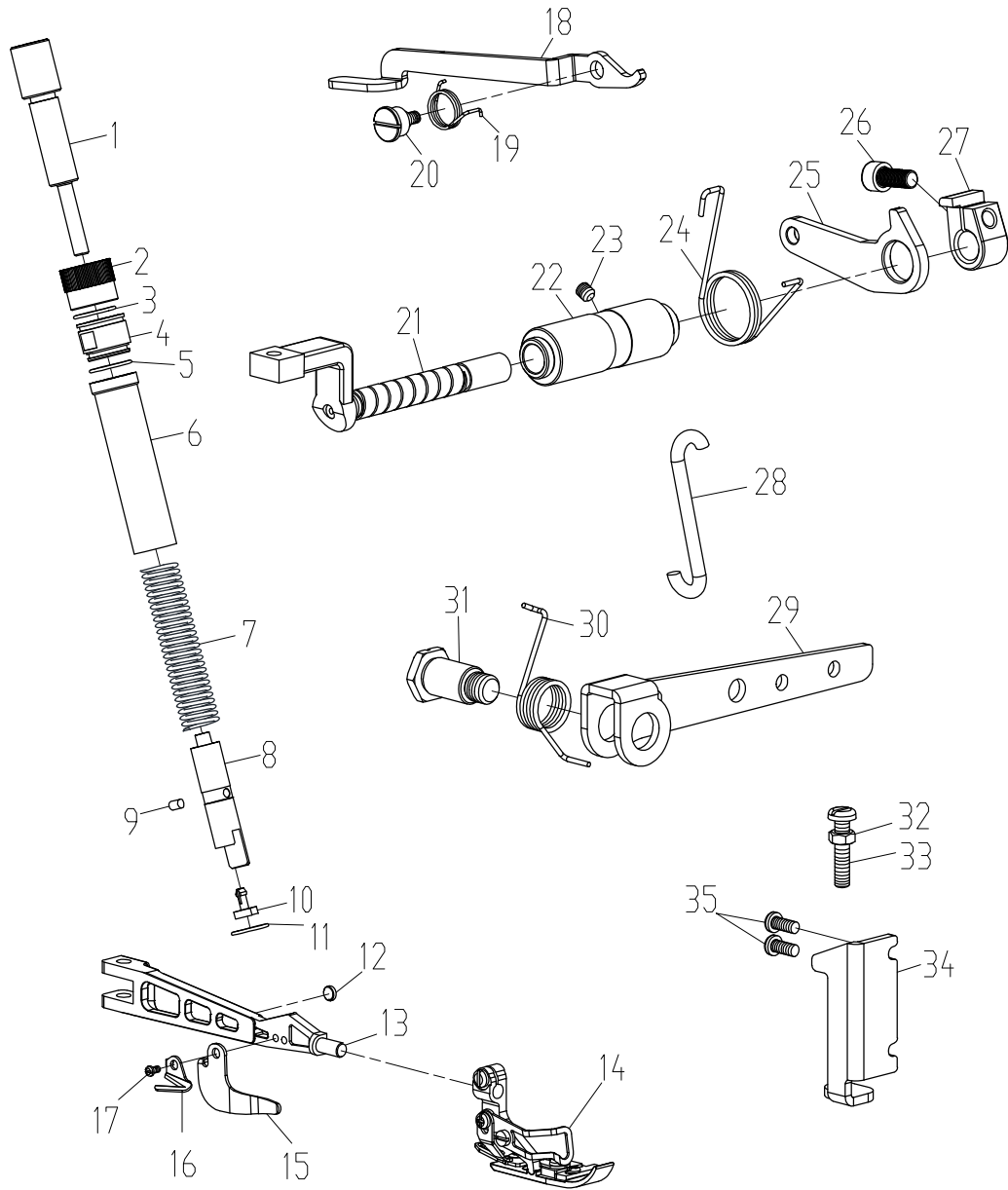
14. KNIFE DRIVE ASSEMBLY



14. KNIFE DRIVE ASSEMBLY

No.	Parts No.	Description	QT.
1	10037470	shaft of upper knife drive	1
2	10009070	fastening pin for upper knife holder	1
3	10009078	retaining ring	2
4	10011177	screw	2
5	10009434	crank of upper knife drive	1
6	10009164	screw	1
7	10002942	connecting bar of upper knife drive	1
8	10009432	pin for connecting bar	1
9	10009109	screw	1
10	10002939	screw	2
11	10009068	upper knife holder	1
12	10009037	screw	1
13	*	upper knife	1
14	10012765	screw	1
15	10009075	screw	1
16	10009041	fender of spring	1
17	10014399	spring	1
18	10009045	lower knife holder	1
19	*	lower knife	1
20	10009043	press plate for lower knife	1
21	10009349	screw	1
22	10009656	upper knife holder	1
23	10008165	lower knife holder	1
24	10009301	lower knife holder	1
25	10023652	lower knife holder	1
		* see the guage list	

15. PRESSER FOOT ASSEMBLY

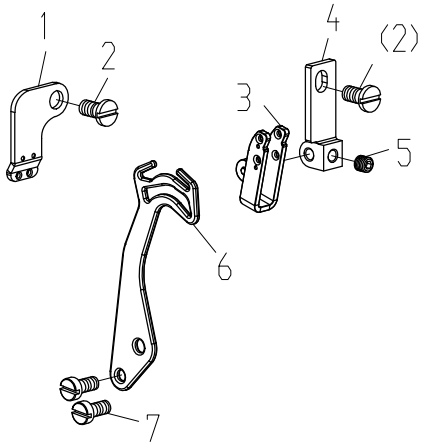


15. PRESSER FOOT ASSEMBLY

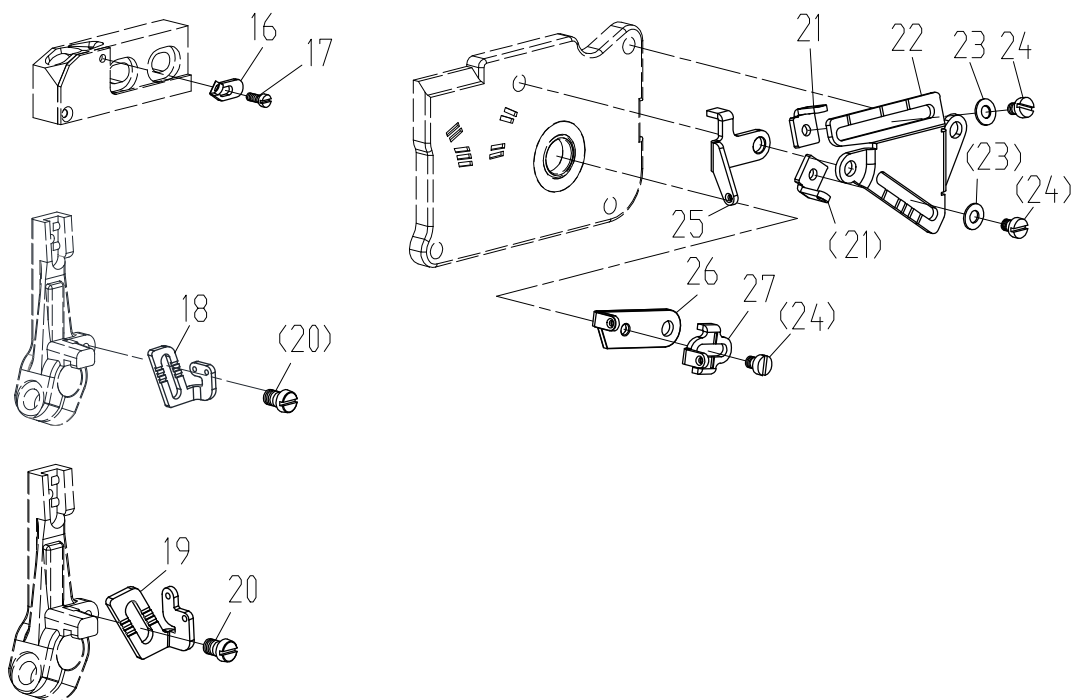
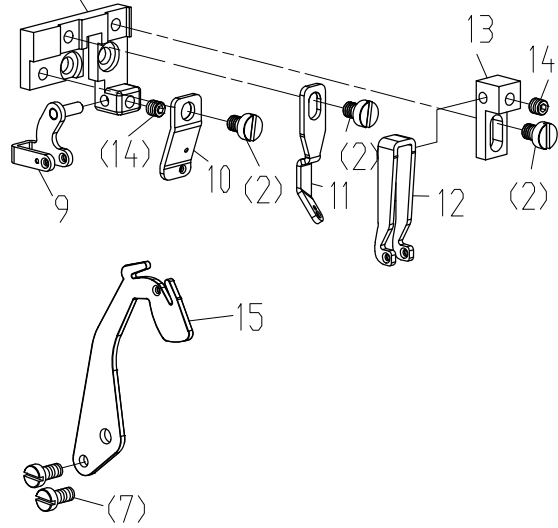
No.	Parts No.	Description	QT.
1	10058290	screw for adjusting pressure of presser foot	1
2	10057465	nut for adjusting pressure of presser foot	1
3	10057462	O ring	1
4	10057460	press pin threaded sleeve	1
5	10057464	O ring	1
6	10062471	press pin plastic cover	1
7	10062472	spring	1
8	10057455	bar of presser foot	1
9	10002844	pin	1
10	10009454	plastic mat	1
11	10057463	O ring	1
12	10061365	foot safety switch magnet	1
13	10058563	arm of presser foot lifting	1
14	*	presser foot components	1
15	10037480	guard plate of cutter	1
16	10011912	secant knife	1
17	10009529	screw	1
18	10062481	hand lifter of presser foot	1
19	10063382	spring	1
20	10057459	screw	1
21	10009032	shaft of presser foot	1
22	10071634	bush of presser foot lifting	1
23	10009167	screw	1
24	10037485	spring	1
25	10033721	connecting bar for presser foot lifting	1
26	10009616	screw	1
27	10034616	crank for presser foot lifting	1
28	10009622	pulling lever for presser foot	1
29	10009158	lever for the presser foot	1
30	10009036	torsing spring for lever	1
31	10036965	screw	1
32	10009623	screw	1
33	10009467	nut	1
34	10068687	brake plate	1
	10009159	brake plate	1
35	10009104	screw	2
		* see the guage list	

16. THREAD TAKEUP AND THREADING FRAME

3,4thread



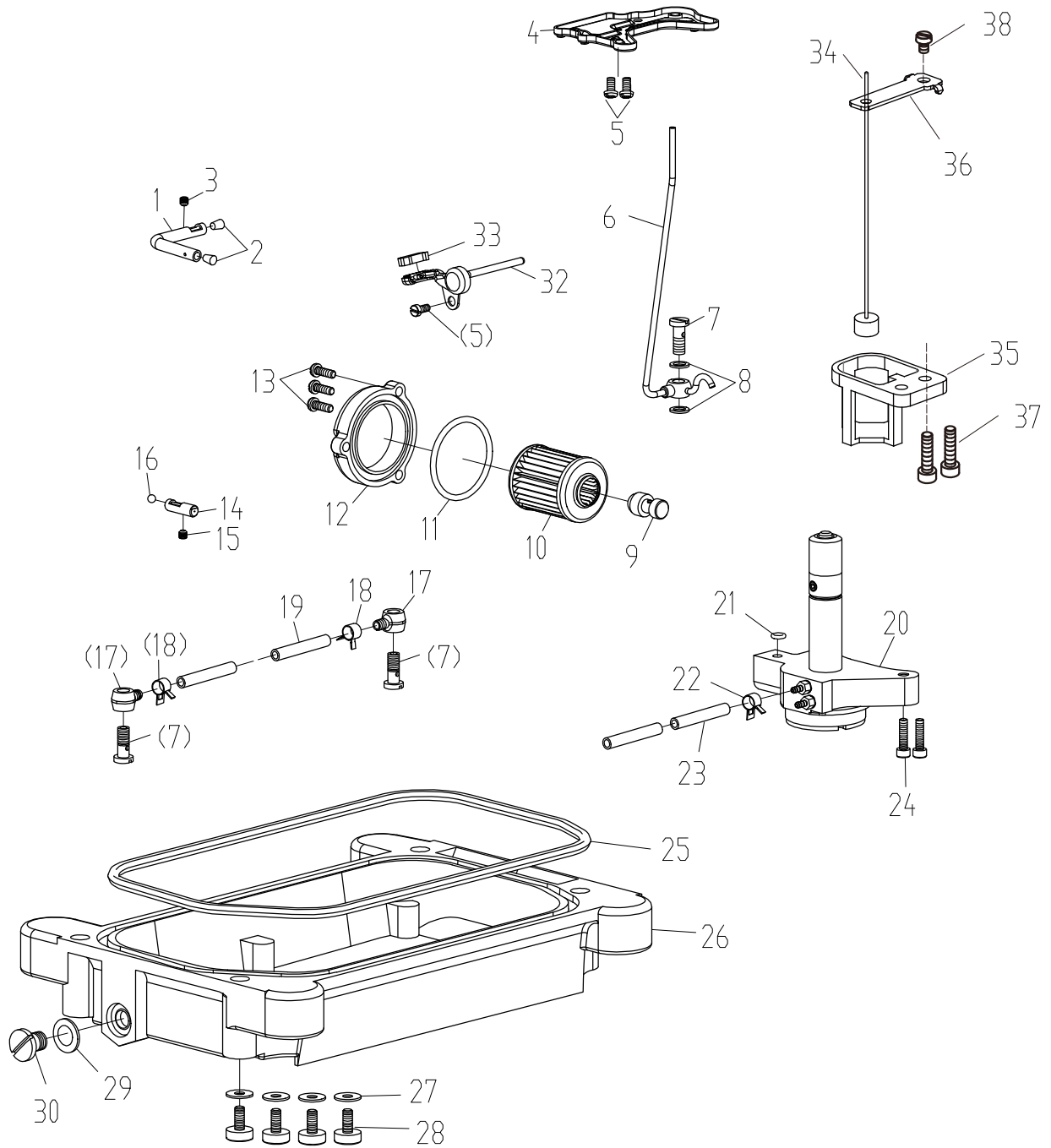
5,6thread



16. THREAD TAKEUP AND THREADING FRAME

No.	Parts No.		Description	QT.
1	10009014		thread guide plate on the needle bar	1
2	10010596		screw	2
3	10009058		thread tension plate	1
4	10009015		fixing stand for thread take-up clamp	1
5	10023463		screw	1
6	10009072		thread take-up stand	1
7	10009600		screw	2
8	10009639		fixing plate	1
9	10009663		lower thread tension plate	1
10	10009280		thread guide plate of left	1
11	10003252		thread guide plate of right	1
12	10002756		upper thread tension plate	1
13	10057518		fixing stand for thread take-up clamp	1
14	10009074		screw	2
15	10009642		thread take-up stand	1
16	10009369		small thread guide plate of upper looper	1
17	10009353		screw	1
18	10065093		thread guide plate for lower looper	1
19	10009018		thread guide plate for lower looper	1
20	10009589		screw	1
21	10009013		thread guide plate of looper	2
22	10009154		stand of lower thread guide plate	1
23	10009599		washer	2
24	10009529		screw	3
25	10009153		thread guide plate of upper looper	1
26	10009147		inner thread guide plate mounted on the shaft	1
27	10009012		outer thread guide plate mounted on the shaft	1

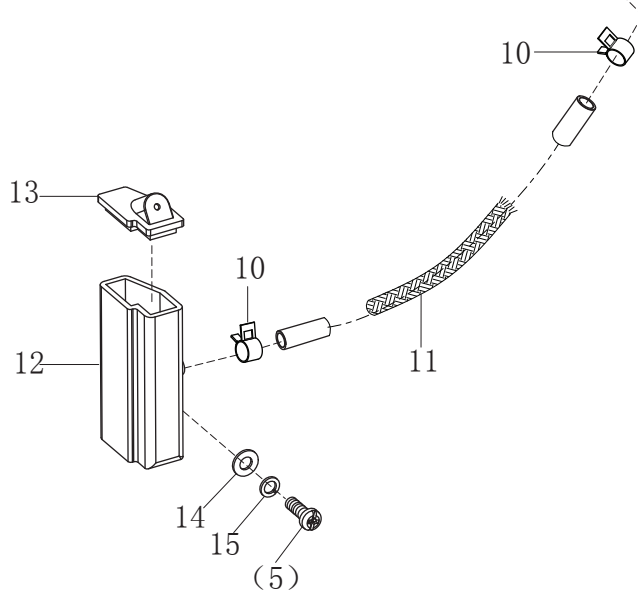
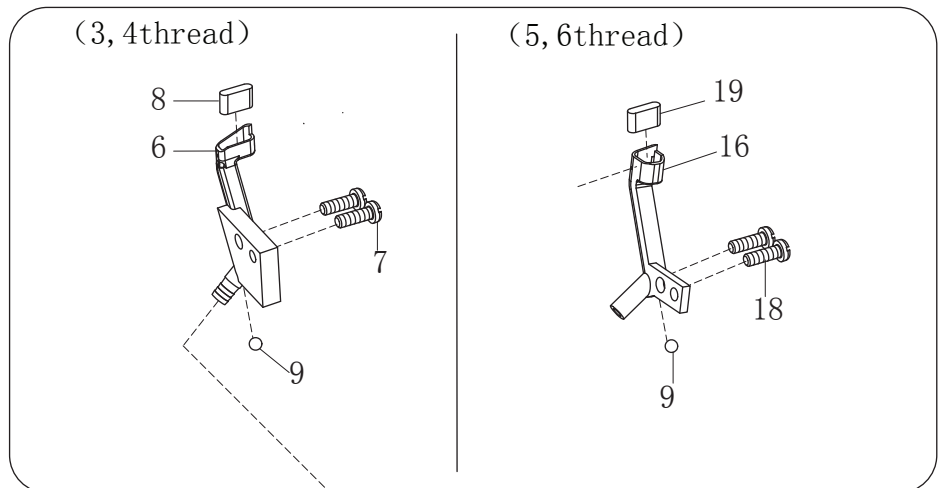
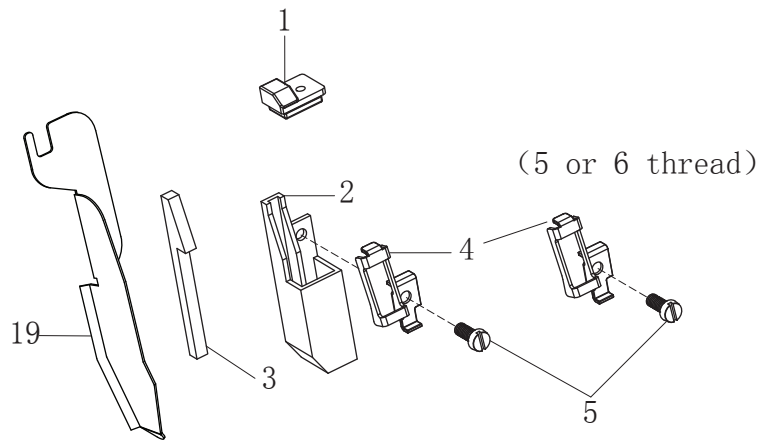
17. LUBRICATION ASSEMBLY



17. LUBRICATION ASSEMBLY

No.	Parts No.	Description	QT.
1	10008992	oil pin for needle bar	1
2	10009039	rubber plug	1
3	10023463	screw	1
4	10065655	oil distributing plate	1
5	10010595	screw	2
6	10058565	Tubing assembly	1
7	10012086	washer	2
8	10009592	joint part	3
9	10026644	joint part	1
10	10043169	oil filter	1
11	10026756	O ring	1
12	20008187	oil filter cover	1
13	10009037	screw	3
14	10012322	pin for oiling	1
15	10009074	screw	1
16	10009826	steel ball	1
17	10009588	joint part	2
18	10011471	fastening ring	2
19	10007796	hose	250
20	10054909	assembly of oil pump	1
21	10003826	O ring	1
22	10009469	fastening ring	1
23	10007800	hose	285
24	10009103	screw	2
25	10052381	washer for oil tray	1
26	10052380	oil tray	1
27	10009447	washer	4
28	10009095	screw	4
29	10009263	washer assembly	1
30	10009264	screw	1
31	10009122	oil return bush of needle bar stand	1
32	10073982	felt	1
33	10069466	oil leveler	1
34	10009775	oil leveler block	1
35	10062477	oil leveler up locating plate	1
36	10012710	screw	2
37	10009104	screw	1
38			
39			
40			

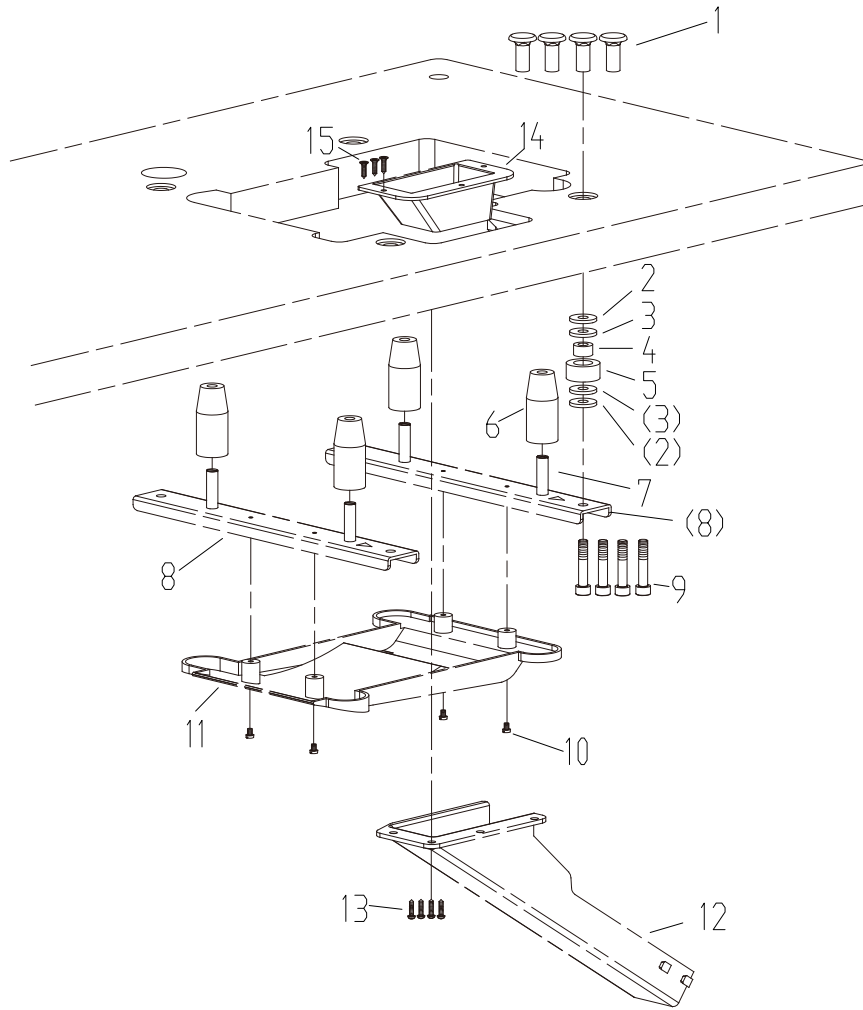
18. HR DEVICE



18. HR DEVICE

No.	Parts No.		Description	QT.
1	10008925		box cover	1
2	10009094		upper silicon oil box	1
3	10057519		felt	1
4	10057520		presser plate for felt	1
5	10009104		screw	2
6	10008931		silicon oil box	1
7	10009037		screw	2
8	10008922		felt	1
9	10009826		steel ball	1
10	10011471		fastening ring	2
11	10008072		oil wick	1
12	10008971		lower silicon oil box	1
13	10008883		box cover	1
14	10003133		washer	1
15	10009503		washer	1
16	10009661		silicon oil box	1
17	10009042		screw	2
18	10009659		felt	1
19	10008884		seal plae	1

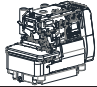

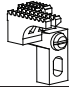
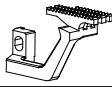




19. OIL TANK BRACKET











19. OIL TANK BRACKET

No.	Parts No.		Description	QT.
1	10009596		bush with inner thread	4
2	10059968		plastic mattress	8
3	10009272		washer	8
4	10059967		rubber cushion steel ring	4
5	10059966		rubber blanket	4
6	10059964		pallet rubber mat	4
7	10059965		brace	4
8	10059963		the tray support	2
9	10003106		screw	4
10	10012553		screw	4
11	10059962		tray	1
12	10033825		the manger packing assembly	1
13	10004981		screw	4
14	10033756		feed opening	1
15	10051357		screw	3

GAUGE PARTS LIST

							
MODEL	NEEDLE PLATE	MAIN FEED DOGASSY	DIFF. FEED DOG	PRESSER FOOT	UPPER LOOPER	LOWER LOOPER	CHAINSTITCH DOGASSY
TRE 04 N	10009769	10070495	10074098	10071230	10009368	10008565	-
QUATTRO 24 N	10008567	10071374	10071377	10070800	10008633	10008565	-
CINQUE 35 N	10009282	10071367	10071371	10071245	10009368	10008565	10009304

							
MODEL	UPPER KNIFE	LOWER KNIFE	FRONT NEEDLE	REAR NEEDLE	NEEDLE HOLDER	NEEDLE	THREAD STAND
TRE 04 N	10009611	10010866	10009377	10074020	10003434	DC×27#11	10008015
QUATTRO 24 N	10009611	10010866	10009377	10074020	10009340	DC×27#11	10007906
CINQUE 35 N	10009611	10010866	10009637	10074020	10009284	DC×27#14	10004956